










| | | | | | | |
|----------|--|------|--|-----|-----------|--|
| PROJECT | | REF | | REV | ITEM CODE | |
| LOCATION | | DATE | | | PAGE | |

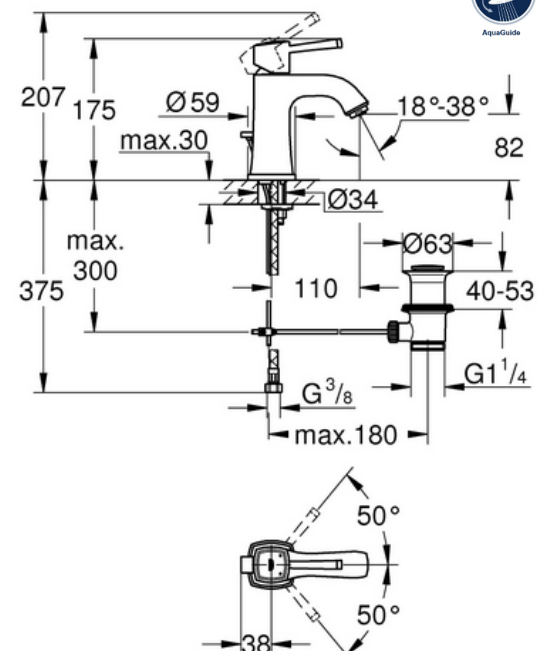
SANITARY WARE SPECIFICATION SHEET

| | |
|-------------------|--|
| Item Descriptions | GROHE (Germany) "Grandera" Single-lever basin mixer 1/2" M-Size; nominated flow rate 5 L/min in WELS Grade 1; Registration No. TM 21-0066 |
| Dimensions | L110 x W59 x H207 mm |
| Model | 23303000 |
| Finish / Material | Chrome Plated |
| Country of origin | Germany |
| Manufacturer | GROHE Limited |
| Supplier | Acme Sanitary Ware Co. Ltd Mr. Eric Wong/ Mr. Don Yuen |
| Contact Tel/Fax | (852) 2388-7171 / (852) 2710-8012 |
| E-mail | acme@acmesanitary.com.hk |
| Website | www.acmesanitary.com.hk |

Illustration/ Drawing





Colour options:

| | |
|-------------------------------|------------------------------|
| ● 000 StarLight Chrome | ● IG0 Chrome/Gold |
| ● DC0 SuperSteel | ● GL0 Cool Sunrise |
| ● DA0 Warm Sunset | ● GN0 Brushed Cool Sunrise |
| ● A00 Hard Graphite | ● DL0 Brushed Warm Sunset |
| ● AL0 Brushed Hard Graphite | ● BE0 Polished Nickel |
| | ● EN0 Brushed Nickel |

"Grandera"
Basin mixer 1/2" M-Size

- monobloc installation
- 28 mm ceramic cartridge with **GROHE SilkMove**
- temperature limiter
- **GROHE StarLight** chrome finish
- **GROHE EcoJoy** technology for less water and perfect flow
- **GROHE QuickFix** installation system
- **GROHE AquaGuide** adjustable mousseur 5.7 l/min
- pop-up waste set 1 1/4"
- flexible connection hoses







Note:

* All information of the above is for the reference only. No prior notice is made if any changes.



| | | | | | | |
|----------|--|------|--|-----|-----------|--|
| PROJECT | | REF | | REV | ITEM CODE | |
| LOCATION | | DATE | | | PAGE | |

SANITARY WARE SPECIFICATION SHEET

GROHE GRANDERA

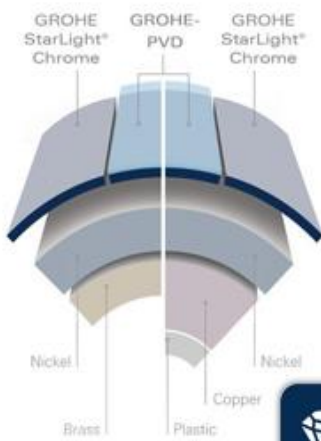
TOMORROW'S GRAND STYLE

The GROHE Grandera collection is both a homage to an age of grandeur long past and an affirmation of modern sensibility, combining the highest standards of quality and craftsmanship with a love of detail and comfort.

Stylistically, the Grandera collection can be combined with a wide range of bathroom furnishings, with the added flexibility of two colors – chrome and chrome / gold.



GROHE StarLight®



GROHE surface hardness

GROHE scratch resistance

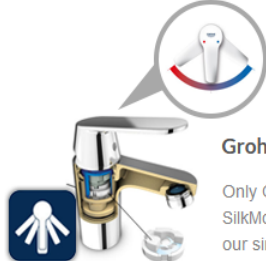


Chrome

PVD

Chrome

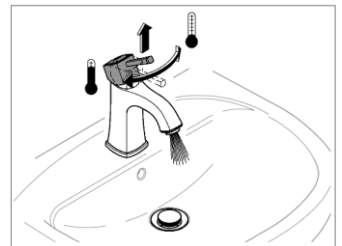
PVD



GROHE SilkMove®

Grohe SilkMove

Only Grohe mixers deliver the unique Grohe SilkMove experience. The rich, smooth handling of our single-lever mixers perfectly expresses the quality and superiority of our brand. The Grohe SilkMove cartridge delivers gradual and precise control of the water flow and temperature.



AQUAGUIDE

Variable spout end for adjustment of water flow.



GROHE SilkMove cartridge technology for smooth handling

This premium tap comes with a continuously variable water temperature and volume adjustment technology, ensuring effortless lever operation even after years of use.



GROHE EcoJoy with water-saving function for reduced consumption

GROHE EcoJoy reduces water consumption by up to 50% without compromising on performance. Whenever you turn on your tap, you will enjoy a full jet of water while saving money nonetheless.



GROHE QuickFix Plus quick and easy installation in a few simple steps

Save time on the installation of your tap with GROHE QuickFix Plus. Consisting of fewer parts, our new system makes the installation process quicker and easier than ever.

Note:

* All information of the above is for the reference only. No prior notice is made if any changes.



| | | | | | | |
|----------|--|------|--|-----|-----------|--|
| PROJECT | | REF | | REV | ITEM CODE | |
| LOCATION | | DATE | | | PAGE | |

SANITARY WARE SPECIFICATION SHEET

| Pos.-nr. | Prod. description | Order-nr. |
|----------|---------------------------|-----------|
| 1 | Lever | 46836000 |
| 2 | Fitting ring | 46715000 |
| 3 | Cartridge | 46580000 |
| 4 | Flow straightener | 46837000 |
| 5 | Pop-up rod | 46787000 |
| 6 | Shank fastening assembly | 46671000 |
| 7 | Waste set 1 1/4" | 28910000 |
| 7.1 | Plug for waste set 1 1/4" | 07182000 |
| 7.2 | Eccentric rod | 07052000 |
| 8 | Mounting wrench | 19017000* |
| 9 | Ball rod | 07341000* |

* Optional accessories

Note:

* All information of the above is for the reference only. No prior notice is made if any changes.

註冊號碼 (Registration No.):

TM 21-0066



自願參與用水效益標籤計劃 - 水龍頭
Voluntary Water Efficiency Labelling Scheme - Water Taps




茲證明
This is to certify that

將下列水龍頭在本計劃內註冊：
has registered the following water tap under this scheme :

| | | |
|--------------------------------|---|-----------------------------------|
| 牌子 / Brand | : | Grohe |
| 型號 / Model | : | 23303XXX + 404230040 |
| 種類 / Type | : | Mixing |
| 原產地 / Country or Region Origin | : | Germany (Mixer & Flow Controller) |

XXX – denotes the code of colour

| | | | |
|---|---|---|--------------------------------|
| 在用水效益標籤上展示的標誌 <i>Symbolic Presentation on the Water Efficiency Label</i> | : |  | 滴水點 <i>Water droplet(s)</i> |
| 用水效益級別 <i>Water Efficiency Grade</i> | : | 1 | |
| 耗水量 <i>Water Consumption</i> | : | 5.0 | 公升/分鐘 <i>litres/minute</i> |

簽發日期：
Date of Issue: 8 March 2021

 水務署
Water Supplies Department



水務署署長(張業駒代行)
for Director of Water Supplies



水務署
Water Supplies Department

總部 Headquarters

告士打道七號入境事務大樓 48 樓
7 Gloucester Road, Wan Chai, Hong Kong



本署
Our ref. 321/2020 T/J(1206/2020)
來函編號
Your ref.

電話
Tel. :
傳真
Fax. : 2824 0578


26 November 2020



**Approval of "GROHE" Basin Mixer
(General Acceptance No. C20201066)**

Your letters ref. WRC/2344 and C-WSD/0674 dated 4 September 2020 and 10 November 2020 respectively refer.

Having considered the test report ref. J24993Ar1 issued on 29 October 2020 by Nutek Systems (HK) Ltd., this Authority accepts that the fitting described below complies with, and its use when correctly installed does not contravene, the Waterworks Ordinance and Regulations.

Name of Manufacturer: Grohe AG
Country of Origin: Germany
Brand: Grohe
Details of Fitting: 3/8" Single lever basin mixer
Model: 23303XXX
(where the digits "XXX" denote the code of colour)
Body Markings: 
Expiry Date: 16 January 2025



This Authority hereby permits the use of the above fitting in fresh water plumbing systems subject to full adherence to Waterworks installation requirements. In particular, you are required to draw your customers' attention to the following requirement-

"The cold water supply to the fitting shall be drawn from the same source that supplies the hot water apparatus so as to provide a balanced pressure and to obviate the risk of scalding in the event of a restriction or failure in the water supply."

A condition of this acceptance is that the fitting to be installed shall be replicas of the sample as certified by the testing agent mentioned above and without modifications. This acceptance may be withdrawn at any time if the standard of the fitting installed fails to meet that of the approved sample or if the fitting is found to be unsuitable for use in fresh water plumbing systems.

This acceptance is only applicable to the main body of the fitting, unless otherwise specified.

For the use of the fitting in any project, the General Acceptance Number of this letter must be quoted as a means of identification of acceptance of the fitting by this Authority.

Should you have any enquiries, please contact our Engineer Mr. Terry KUNG at tel. no. 3583 4086.

Yours faithfully,



(CHAN Chung-kun)

for Director of Water Supplies

Encl.

c.c. WSD 3321/1/82] - without catalogue
ME/MC] - with soft copy only